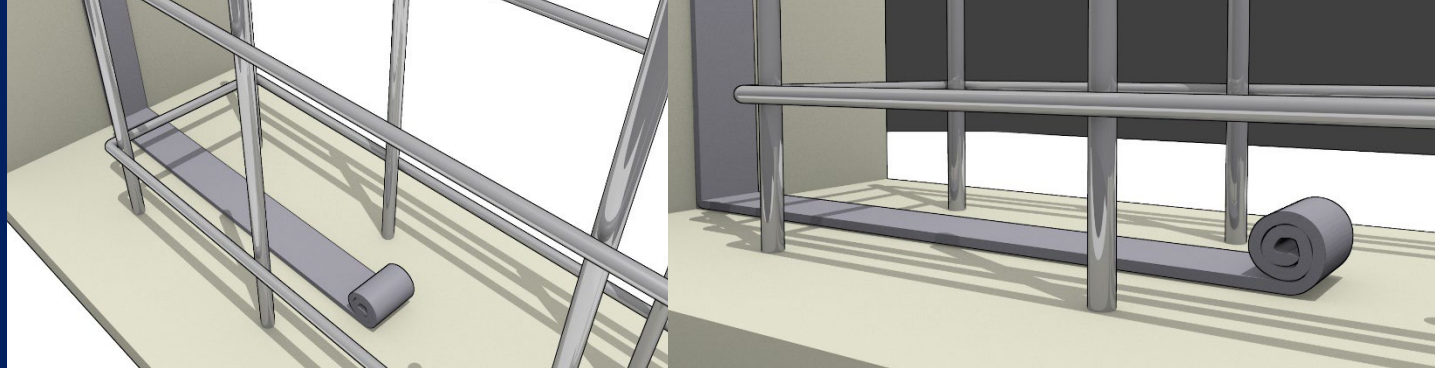




Rev 1
10/24



BENTOTEK STRIP-BT

Hydro-expansive bentonite joint based on sodium bentonite and butyl rubber for construction joints



DESCRIPTION

BENTOTEK STRIP-BT is a hydro-expansive bead based on natural sodium bentonite, butyl rubber and in addition stabilizing additives, for sealing casting joints.

In contact with water and in confined conditions, it expands to about 600% of its original dry volume and creates a waterproofing pressure inside the joint, sealing cracks and cavities in the joint, filling any holes in the concrete, cracks etc.

FIELDS OF APPLICATION

BENTOTEK STRIP-BT has been designed to seal construction joints, casting joints, around through bodies, closing joints, counter sheet piles, etc. It is suitable for preventing water from leaking through the discontinuity gap between the jets, for structures such as tunnels, parking lots, swimming pools, foundations, etc. It can be used in combination with an injection tube in situations that can be considered high risk.

ADVANTAGES

BENTOTEK STRIP-BT is a hydro-expansive waterstop joint, which spreads about 600% of its original dry volume.

BENTOTEK STRIP-BT is an ecological and easy-to-use system: installation by means of nails or special glue is quick and easy.

The use of wire mesh facilitates installation and protects the BENTOTEK STRIP-BT from damage during concrete pouring and compaction. Nevertheless, BENTOTEK STRIP-BT, due to its highly compact, elastic and plastic properties, perfectly resists the casting phases (without mesh) while remaining perfectly intact. These properties also easily balance the initial hydraulic shrinkage of the concrete.

BENTOTEK STRIP-BT can fill small gravel nests.

BENTOTEK STRIP-BT does not dissolve in water and is non-polluting (it does not contain harmful substances).

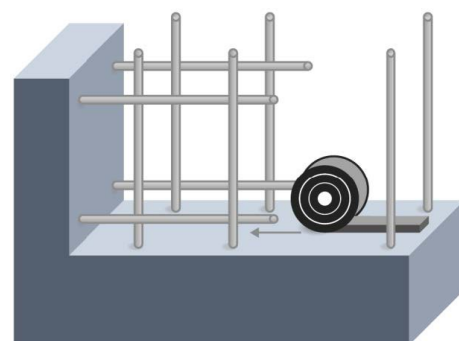
It is resistant to mold and microorganisms.

- Ability to swell up to the maximum degree of expansion without losing consistency and therefore without danger of leaching of the bentonite gel.
- Delayed expansion for installation even in difficult weather conditions (minimum expansion in the first 48 hours).
- Bentonite compound with butyl rubber can come into contact with drinking water without pollution problems.

PRECAUTIONS

In the event that the spilled water contains abnormal quantities of dissolved salt, seawater infiltration or pollutants, consult our technical staff for clarification and any preventive analysis.

The BENTOTEK-STRIP BT is suitable for construction joints with reinforcement loops, but not for expansion joints (where WATERTEK waterstop profiles are indicated).



SHEET



TEKNA CHEM S.p.A.

Factory: Renate (MB) - Via Sirtori, 18 - 20838 - Tel. +39 0362.91.83.11

Web: www.teknachemgroup.com - E-mail: info@teknachemgroup.com - Fax: +39 0362.91.93.96



METHOD OF ADMINISTRATION

1. General.

BENTOTEK STRIP-BT can only function properly in a confined space, in order to develop sufficient pressure to ensure waterproofing.

BENTOTEK STRIP-BT should preferably be applied to smooth, dust-free concrete on the surface. Installation must take place exclusively in dry conditions.

Do not lay in case of rain or in contact with water to avoid premature expansion of the waterstop joint.

BENTOTEK STRIP-BT is applied between the inner and outer rows of the reinforcing bars.

2. Preparation of the substrate.

Remove dust, dirt, and more by brushing firmly.

If necessary, level the surface of the substrate with a hydroexpansive putty.

3. Fixing by gluing (horizontal application only)

Apply a 5 x 10 mm layer of special adhesive with a cartridge gun to the concrete surface.

Unroll the waterstop joint and press firmly into the adhesive.

Wait until the adhesive is dry before pouring concrete (always maintain a minimum concrete coverage of 7 cm on each side). Overlap the ends of the joint-waterstop rolls sideways for 5-10 cm and press them firmly together.

An additional nailing ensures a better and safer adhesion of the waterstop joint to the concrete substrate.

4. Fastening by nailing

Unroll the BENTOTEK STRIP-BT waterstop joint in the middle of the joint (always maintain a minimum concrete coverage of about 7 cm on each side). Overlap the ends of the joint-waterstop rolls sideways for 5-10 cm.

Secure the waterstop joint with nails with washer, about 4 per meter.

BENTOTEK STRIP-BT can be fixed around through bodies with steel wire or special adhesive.

IMPORTANT

Avoid passing objects below the kerb laying surface.

SPECIFICATIONS

Flexible hydrophilic waterstop joint composed of natural sodium bentonite and synthetic rubber (in proportion 75%-25%).

Section mm	25 x 20 mm or 10 x 20
Ability to swell in contact with water (after 5 days)	600% of its original dry volume (*)
Density	1.58±5% kg/dm ³
Weight	0.79±5% kg/m
Maximum permissible curvature	No cracking at 180° above 0°C
Application temperature	-15°C to +60°C
Operating Temperature	-45°C to +120°C
Smell	Odorless

Non-toxic product.

It does not require special handling precautions.

(*) Testing under laboratory conditions.





ASPECT

Black, rectangular curb.

CONSUMPTION

The quantities needed depend on the length of the casting joints that need to be sealed. Consider the necessary lateral overlap of 5 to 10 cm between 2 consecutive joint segments.

PACKAGING

25 x 20 mm

Cardboard boxes containing 30 meters of curb: 6 rolls of 5 m in length.
The complete pallet consists of 30 cardboard boxes of 30 m = 900 m.

10 x 20 mm

Cardboard boxes containing 80 meters of curb: 16 rolls of 5 m in length.
The complete pallet consists of 30 cardboard boxes of 30 m = 2400 m.

STORAGE

BENTOTEK STRIP-BT should be stored indoors, off the ground.
Protect materials from all sources of moisture and frost. The duration is unlimited.

LEGAL

The information contained in this technical data sheet, although representing the most advanced stage of knowledge, does not exempt the user from carrying out accurate preliminary tests in his own conditions of use and operation. Therefore, no liability is accepted for improper use of the product.

